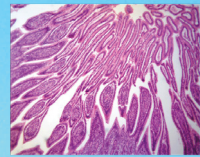




LABOMED, INC.



LB-238 Biological Binocular Microscope with Infinite Optical System and Infinite Objective 4×, 10×, 40×, 100× (S,Oil)

LB-238 Biological Binocular Microscope with Infinite Optical System and Infinite Objective are specially designed for college education, medical and laboratory study. They adopt Infinite optical system, beautiful structure and ergonomic design. With an innovative optical and structure design, excellent optical performance and easy to operate system, these biological microscopes make your works enjoyable.

APPLICATION

LB-238 Biological Binocular Microscope with Infinite Optical System and Infinite Objective are ideal instrument in biological, histological, pathological, bacteriology, immunizations and pharmacy field and can be widely used in medical and sanitary establishments, laboratories, institutes, academic laboratories, colleges and universities.



LABOMED, INC.

FEATURES

1. Excellent infinite optical system with High resolution and perfect definition.
2. Comfortable operating with ergonomic design.
3. 100X water objective is available for convenient viewing.
4. Unique LED illumination system, provide bright and comfortable lighting.
5. Winding device for cable, easy to move and storage.
6. Various accessories for upgrading.



Wire Winding Device



Rackless(Integrated) Stage



100× Water objective



**Simple polarizing unit
Polarizer & analyzer**



**Dark filed unit available
for 4×- 60× objective**



LABOMED, INC.

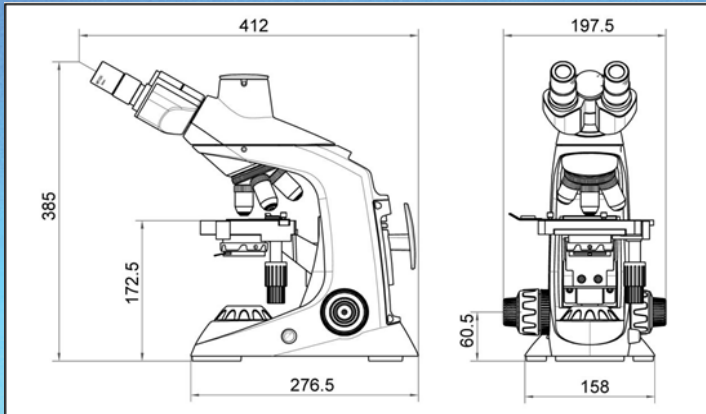
SPECIFICATION

Item	Specification
Optical System	Color Corrected Infinite Optical System
Viewing Head	Seidentopf Binocular Head, Inclined 30°, Rotatable 360°, Interpupillary Distance: 48-75mm
Eyepiece	WF10×/20mm (High eyepoint)
Infinite Objective	E-Plan 4×/0.10
	E-Plan 10×/0.25
	E-Plan 40×/0.65(S)
	E-Plan 100×/1.25(S, Oil)
Nosepiece	Backward Quadruple Nosepiece
Mechanical Stage	Size 145mm×140mm, Travel Range:76mm×52mm, Scale: 0.1mm, Two Slide Holder
Abbe Condenser	N.A.1.25, With iris Diaphragm
Focusing	Coaxial Coarse and Fine Focusing Knob, Coarse Focusing Travel Range: 25mm, Fine division: 2μm
Illumination	3W LED Illumination, Voltage: 100V-240V
Wire Winding Device	Wind cable on back of the microscope



LABOMED, INC.

Dimension



Sample Images

